

# Electric Car Ride



Off-Road  
Adventure Ride  
Morgan's Wonderland  
San Antonio, TX

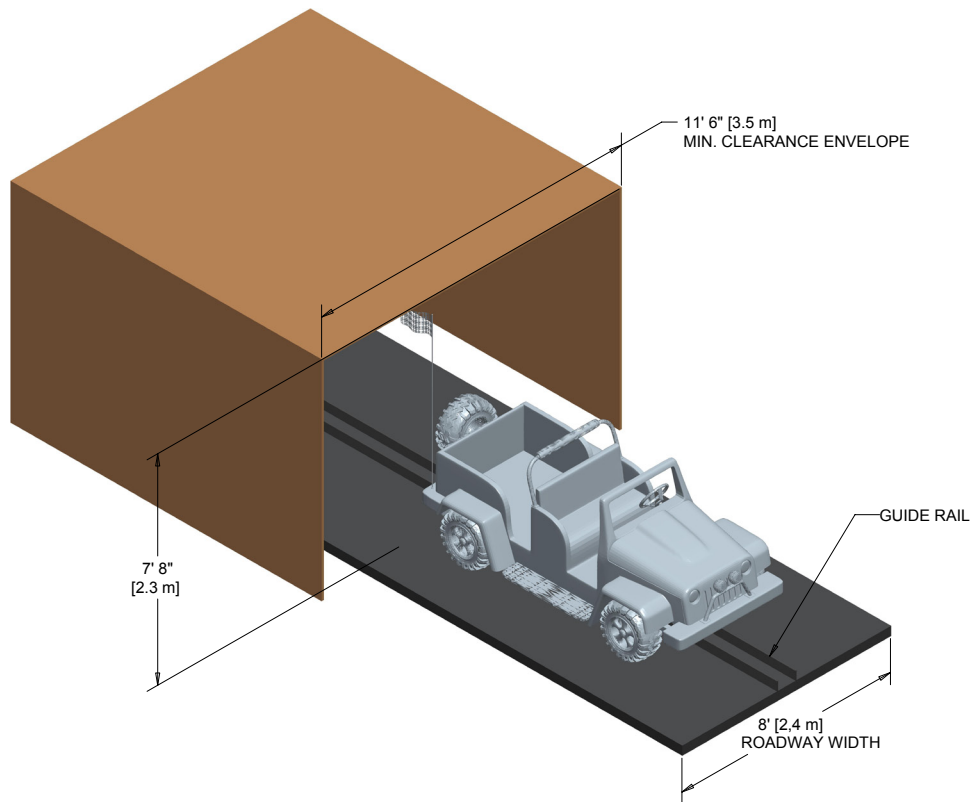


The Chance Rides Electric Car Ride features spacious, family-friendly vehicles with interactive steering controls. The open-air vehicle design gives your guests unobstructed views in all directions. Choose from available car options including the off road ATV, 50's style classic cars, safari vehicles or the Tin Lizzie model based on the original Ford Model - T. Or you can always let us develop a custom style for your specific needs.



316.945.6555  
sales@chancerides.com  
chancerides.com

# Electric Car Ride



## FEATURES

### STANDARD FEATURES

- Interactive steering controls
- Aligns on center guide rail
- Zero emissions to meet EPA guidelines
- Auto-queing of cars at station
- Track block management system

### OPTIONAL FEATURES

- Sound effects
- Operating gauges
- Working lights
- ADA wheelchair accessible vehicle

## SPECIFICATIONS

### SEATING

Number of cars .....	12
Maximum passengers per car .....	4
Average passenger weight .....	170 lbs. (77 kg)
Maximum total passenger weight per car .....	680 lbs. (308 kg)
Minimum passenger height .....	under 42 in. (107 cm)
..... (to be accompanied by an adult)	
.....	above 42 in. (107 cm)
..... (may be unaccompanied by adult)	
Loading .....	all passengers simultaneously per car

### PERFORMANCE

Direction of travel .....	clockwise
Ride speed .....	5 ft. per sec.
Maximum wind speed (operating) .....	35 mph
Maximum grade .....	8% up , 5% down

### MAXIMUM RIDE WEIGHT (EMPTY)

Per car .....	1,000 lbs. (454 kg)
---------------	---------------------

### POWER REQUIREMENTS\*

Total .....	72 kW
Min./Max. voltage .....	208/220 volt, 3 phase, 60 Hz

### DRIVE\*

Type .....	variable speed electric
Motor Type .....	220/208 volt, 3 phase, 60 Hz
Horsepower rating .....	3 each

\* All rides can be electrically wired to operate on other specified voltage.

Specifications are effective as of publication date. Because we try to improve every Chance Rides product, these specifications are subject to change without notice. Dimensions given are approximate. For actual dimensions and installation specifications, please refer to Chance Rides foundation drawings. This ride conforms to all applicable ASTM amusement ride standards in effect on the date of manufacture.

