

Pharaoh's Fury (Portable Model)



Swinging in an arc over 43 feet high, the Pharaoh's Fury takes passengers from horizontal to vertical. You'll have all 48 to 60 riders screaming as the boat plunges down. The Pharaoh's Fury is also available in various themes, including the Sea Dragon.

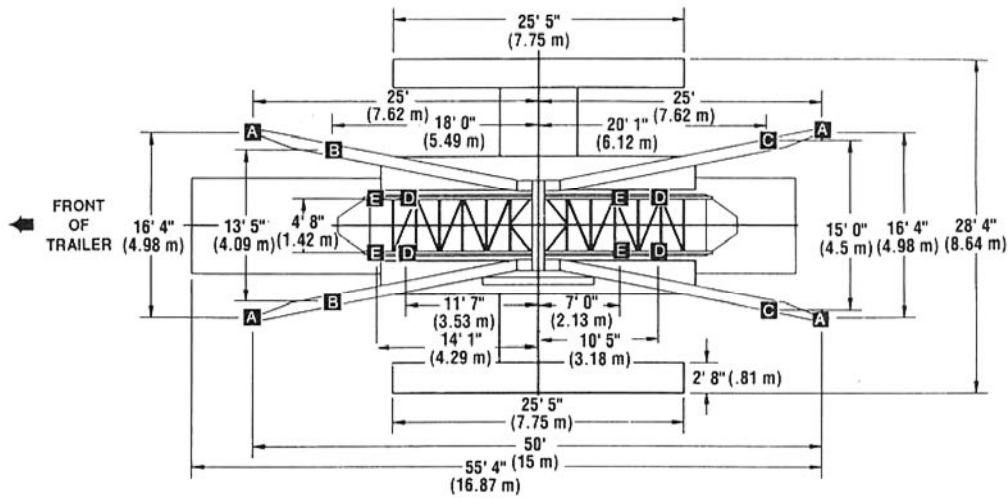


316.945.6555

sales@chancerides.com

chancerides.com

Pharaoh's Fury (Portable Model)



FEATURES

STANDARD FEATURES

- 10 simultaneously loading seats accommodating 40 adults or 60 children for increased hourly capacity
- All-electric drive system for smooth, clean operation
- Ready for installation on customer foundation
- Portable model features one-trailer portability for faster set-up and tear down without forklifts or cranes

OPTIONAL FEATURES

- Eye-catching lighting package features Pharaoh's Fury sign and triangle sign, vehicle and tower leg lighting to attract riders
- Sea Dragon theming
- Galvanized sweeps and seat frames

SPECIFICATIONS

SEATING

Number of seats 10
 Maximum number of passengers per seat 4 adults or 6 children*
 Average passenger weight per car 680 lbs. (308 kg)
 Maximum total number of passengers 40 adults and 60 children
 Maximum total passenger weight ... 6,800 lbs. (3,060 kg)
 Minimum passenger height 48 in. (122 cm) (unaccompanied by adult)
 Loading all passengers simultaneously
 Maximum unbalance 8 adults (1,360 lbs./617 kg)
 Lap bars ... semi-automatic (mechanical latch, air release)

PERFORMANCE

Direction of travel 65 degree max. swing from center
 Ride speed 39 ft. (12 m) per second
 Ride duration (maximum) 1.5 - 2 min.
 Maximum wind speed (operating) 25 mph
 Maximum wind speed (static) 80 mph

CLEARANCE DIMENSIONS

Frontage width (ground) 60 ft. (18 m)
 Frontage width (air) at 45 ft. 80 ft. (24 m)
 Height 56 ft. (16.8 m)
 Depth 31 ft. (9.3 m)
 Drive variable frequency electric

POWER REQUIREMENTS*

Total 85 kW
 Motor 60 kW
 Lights 25 kW
 Min/Max line voltage ... 208/230 volt wye, 3 phase, 60 Hz

DRIVE**

Type variable speed electric-hydraulic
 Motor Type 460 volt, 3 phase, 60 Hz
 Number of motors 4
 Horsepower rating 60

MOTOR*

Type 460 volt, 3 phase, 60 Hz
 Number of motors 4
 Horsepower rating 60

LIGHTING**

Type 110 volt programmed neon and incandescent

TRAILERING (Meets FMVSS and DOT Standards)

Height 13 ft., 6 in. (4.11 m)
 Width 8 ft., 6 in. (3.8 m)
 Length 53 ft. (15.9 m)
 Total weight 55,000 lbs. (24,750 kg)
 Rear axle weight 33,500 lbs. (15,075 kg)
 Kingpin weight 21,500 lbs. (9,675 kg)
 Tire size 11 x 17.5 (tubeless)
 Suspension type air ride
 Towers lift into position with trailer-mounted hydraulic cylinders.

**All rides can be electrically wired to operate on other specified voltage.

Specifications are effective as of publication date. Because we try to improve every Chance Rides product, these specifications are subject to change without notice. Dimensions given are approximate. For actual dimensions and installation specifications, please refer to Chance Rides foundation drawings. This ride conforms to all applicable ASTM amusement ride standards in effect on the date of manufacture.

