

# Revolution 32

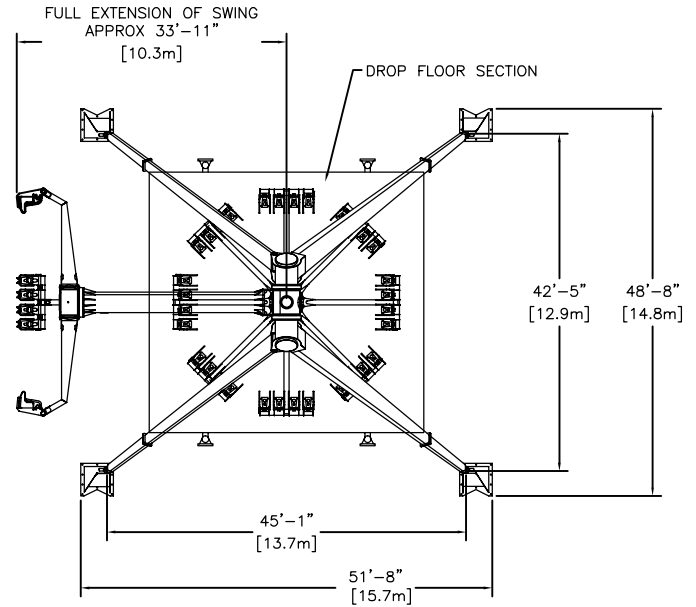
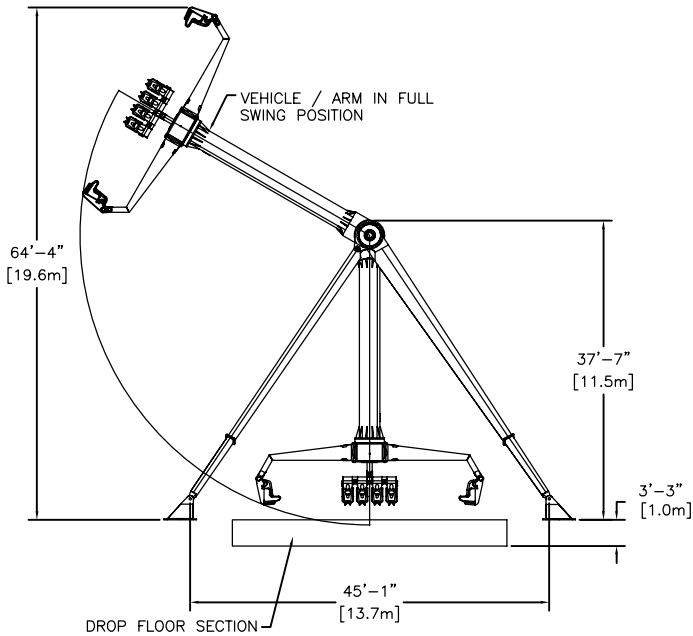


This high-capacity thriller is best described as pure, unbridled excitement. The Revolution 32 swings riders an astounding 65 feet in the air, while the passenger vehicle spins continuously, resulting in mind-blowing, upside down sky views and heart-stopping weightlessness. The Revolution is designed by KMG.



316.945.6555  
sales@chancerides.com  
chancerides.com

# Revolution 32



## FEATURES

### STANDARD FEATURES

- 32 Simultaneously loading seats
- Secure over-the-shoulder restraint system

### OPTIONAL FEATURES

- Energy saving LED light bulbs
- Custom theming

## SPECIFICATIONS

### SEATING

Number of seats.....	32
Maximum number of passengers per seat.....	1
Average passenger weight per seat.....	170 lbs. (77 kg)
Maximum total passenger weight.....	5,440 lbs. (2,468 kg)
Minimum passenger height.....	48 in. (122 cm)
Loading.....	all passengers simultaneously

### PERFORMANCE

Direction of travel.....	clockwise
Ride speed.....	9 rpm
Ride duration.....	2 min.
Maximum wind speed (operating).....	35 mph
Maximum wind speed (static).....	80 mph

### MAXIMUM RIDE WEIGHT

Empty.....	33,000 lbs. (14,969 kg)
------------	-------------------------

### CLEARANCE DIMENSIONS

Frontage width (ground).....	52 ft. (16 m)
Frontage width (air).....	68 ft. (21 m)
Height (loading).....	38 ft. (12 m)
Height (operating).....	65 ft. (20 m)

### POWER REQUIREMENTS\*

Total.....	115 kW
Drive.....	65 kW
Lights.....	50 kW
Min./Max. voltage.....	460/480 volt, 3 phase, 60 Hz

### DRIVE\*

Type.....	AC
Motor Type.....	230/460 volt, 3 phase, 60 Hz
Number of motors.....	7
Horsepower rating.....	2 @ 30hp, 1 @ 10hp, 4 @ 5hp

### LIGHTING\*

Type.....	110 volt incandescent
-----------	-----------------------

\* All rides can be electrically wired to operate on other specified voltage.

Specifications are effective as of publication date. Because we try to improve every Chance Rides product, these specifications are subject to change without notice. Dimensions given are approximate. For actual dimensions and installation specifications, please refer to Chance Rides foundation drawings. This ride conforms to all applicable ASTM amusement ride standards in effect on the date of manufacture.

