

Tramstar™ LFT

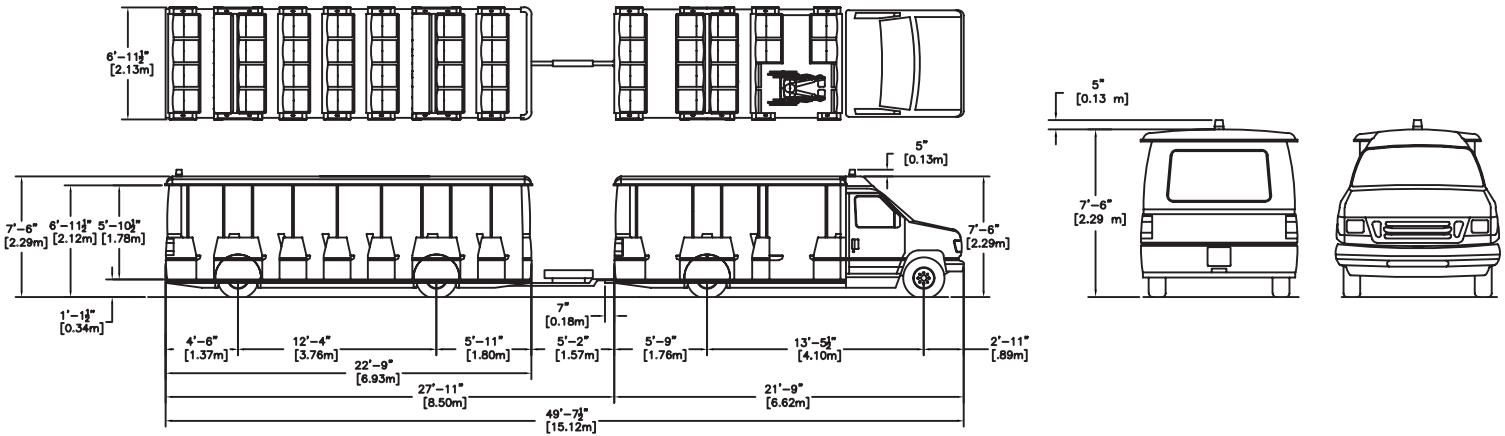


Transport your customers in our Tramstar Low-Floor Tram. They'll like the low 13-inch floor height. Your drivers will appreciate the maneuverability. Operating with gasoline or propane fuel, the Tramstar seats up to 104 passengers with up to three trailing units.



316.945.6555
sales@chancerides.com
chancerides.com

Tramstar™ LFT



FEATURES

STANDARD FEATURES

- Low 13-inch floor height promotes safety and speeds loading/unloading
- 30-foot turning radius for one power unit plus three trailing units
- Heavy-duty air ride suspension for smooth operation and air-over-hydraulic brakes for safety and reliability
- Easy to use hitch system which allows for quick connecting and disconnecting of the trailing units

- Power unit serviceable at local Ford dealerships
- 5-year Altoona Bus tested
- Roomy storage bays, overhead lighting, non-skid RCA rubber flooring and PA system
- Open-air design delivers incredible view
- Comfortable, molded fiberglass seats and plenty of leg room
- 1-year/12,000 mile full U.S. warranty
- 3-year/36,000 mile subsystem warranty

OPTIONAL FEATURES

- Bi-fuel propane or CNG engine
- ADA compliant lightweight, retractable wheel chair ramp and two forward-facing wheel chair positions
- Rain curtains
- Roadside closure bars
- Advertising panels
- Luggage racks
- Video monitors
- Custom theming

SPECIFICATIONS

PRINCIPLE DIMENSIONS

Passenger capacity
 Handicap capacity
 Wheel base
 Overall length
 Overhang, front axle to front bumper
 Overhang, rear axle to rear bumper
 Width, overall
 Height, overall with beacon
 Height, step and floor
 Height, inside at center line
 Min. turning radius, outside front tire
 Min. turning radius, outside front body corner**
 Curb weight (approx.)
 G.V.W.R. (max at 20 mph)
 Approach angle
 Ramp breakover angle
 Departure angle

POWER UNIT

20 adults
 2 wheelchairs, 12 seated
 161.5 in. (4.10 m)
 21 ft. 9 in. (6.63 m)
 34.9 in. (88.65 cm)
 69.5 in. (1.77 m)
 84 in. (2.13 m)
 95 in. (2.41 m)
 13.5 in. (34.29 cm)
 76 in. (1.93 m)
 28 ft. (8.53 m)
 29 ft. (8.84 m)
 6,500 lbs. (2,948 kg)
 10,050 lbs. (4,559 kg)
 32°
 10°
 10°

TRAILING UNIT

28 adults
 NA
 148 in. (3.76 m)
 22 ft. 9 in. (6.93 m)
 70.5 in. (1.79 m)
 54.5 in. (1.38 m)
 84 in. (2.13 m)
 95 in. (2.41 m)
 13 in. (33.02 cm)
 76 in. (1.93 m)
 28 ft. (8.53 m)
 29 ft. (8.84 m)
 4,500 lbs. (2,041 kg)
 8,700 lbs. (3,946 kg)
 10°
 10°
 10°

POWER UNIT

Tires..... LT 245/75 R16, load range E
 Rims Steel, 8-hole, 16" x 7"
 Axle, type 4 x 2 rear drive, front steer
 Axle, front..... Ford E-350 Twin I-beam,
 5,000 lbs. (2,268 kg)
 Axle, rear Dana 10.5", full-floating,
 7,800 lbs. (3,538 kg)
 Brakes, type..... Ford hydraulic power brakes
 Brakes, front & rear Ford E-350 disc, dual-piston,
 13.58" dia.
 Suspension, front Ford E-350 heavy-duty coil spring
 Suspension, rear Dual-air-spring air-ride
 Engine, gasoline..... 6.8 liter V-10
 Fuel capacity 22 gal. (83.3 liters)
 Transmission TorqShift®, 6-speed automatic
 Seats..... Molded fiberglass, 74 in. (1.88 m) wide
 Steering..... Front axle
 Air conditioning (cab only) R134A

GRADEABILITY VS. ROAD SPEED*

11% grade at 4mph for a fully-loaded tram with two trailing units at sea level

* Passenger capacity is calculated providing 18.5 inches per adult passenger. Overall width of all transverse seats is 74 inches.

** Turning radius may vary. Specific applications should be reviewed with Chance Rides prior to placing vehicles in service.

*** Gradeability shown for standard gasoline power unit with single rear wheels.

Specifications are effective as of publication date. Because we try to improve every Chance Rides product, these specifications are subject to change without notice. Dimensions given are approximate.



TRAILING UNIT

Tires..... ST 225/75 R15, load range D
 Rims Steel, 6-hole, 15" x 6"
 Axles Chance Rides, tubular steering,
 5,000 lbs. (2,268 kg)
 Brakes..... Air-over-hydraulic drum,
 manual-adjusting 12" x 2.5"
 Suspension Air-ride, two air-springs per axle
 Steering..... Four-wheel