

# Giant Wheel (Portable Model)

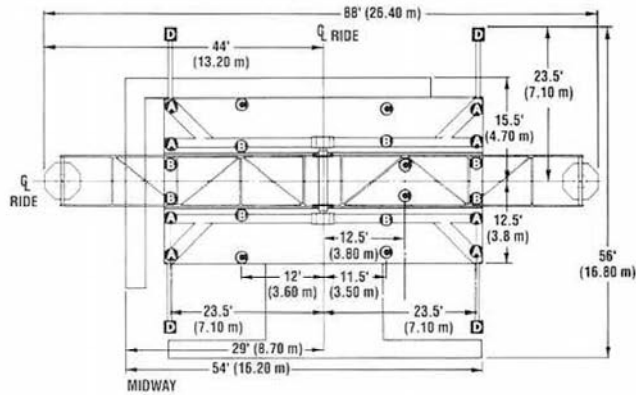
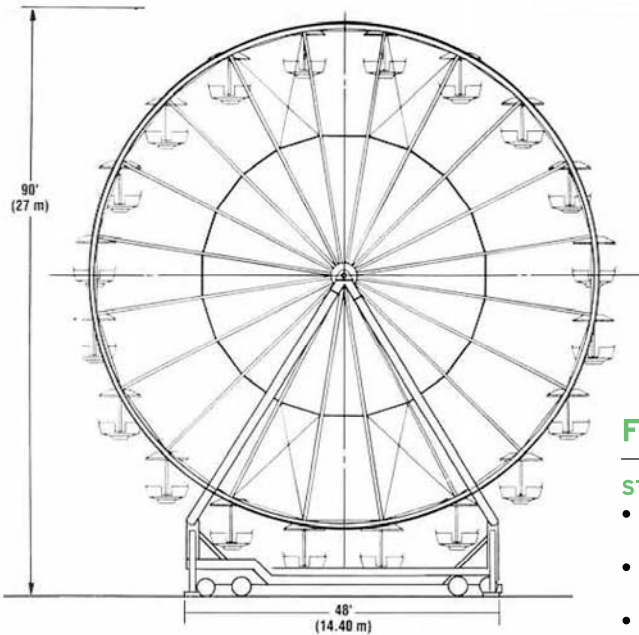


Switch on the 6,000 lights and this 90-foot attraction stands out for miles. The majestic Giant Wheel is known for filling its 20 six-to-eight passenger gondolas again and again.



316.945.6555  
sales@chancerides.com  
chancerides.com

# Giant Wheel (Portable Model)



## FEATURES

### STANDARD FEATURES

- Height of 90-feet for spectacular views and maximum visibility to attract riders
- Simultaneous loading of four gondolas for increased capacity
- Features 20 gondolas, capable of carrying six adults or eight children for a total capacity of 120 to 160 passengers
- More than 6,000 multicolored incandescents lights capable of performing 16 different programs create a spectacular light show
- Deep high-back gondola seats and automatic closing doors offer riders a feeling of security
- Automatic gondola positioning for loading and unloading reduces operator workload

- Screen displayed diagnostics for ease of ride maintenance
- Erects hydraulically in a fraction of the time required for European models
- Wheel is mounted on three 48-foot trailers and one 45-foot racked van.

### OPTIONAL FEATURES

- Rear circle sign with or without logo
- Circle sign with flames
- LED lighting
- Platforms, Ramps and Fencing
- Gondola canvas covers
- Galvanized sweeps, seat frames & spreader bars

### ERECTION

Towers lift into position with trailer-mounted hydraulic cylinders. All sweeps are raised into place with tower legs.

- A maximum load can be derived from random individual passenger weights, but must not exceed the specifications given.
- All rides can be electrically wired to operate on other specified voltage/Hz.
- Specifications are for customer-furnished van. Trailer is custom racked by Chance Rides.

## SPECIFICATIONS

### SEATING

Number of gondolas ..... 20  
 Maximum number of passengers per gondola ..... 6  
 adults or 8 children  
 Maximum passenger weight per gondola ... 1,296 lbs. (583 kg)  
 Maximum total number of passengers ..... 120 adults  
 or 160 children  
 Maximum total passenger weight ... 25,920 lbs. (11,757 kg)  
 Minimum passenger height ..... 42 in. (107 cm)  
 Loading ..... 4 gondolas simultaneously  
 Maximum unbalance ..... 12 adults (2,592 lbs./1166 kg)

### PERFORMANCE

Direction of travel ..... clockwise / counterclockwise  
 Ride speed ..... 2.5 rpm  
 Ride duration ..... 2 min.  
 Maximum wind speed (operating) ..... 35 mph  
 Maximum wind speed (static) ..... 80 mph  
 (Guy wires recommended in high winds)

### MAXIMUM RIDE WEIGHT

Empty ..... 195,000 lbs. (87,750 kg)

### POWER REQUIREMENTS\*

Total ..... 130 kW  
 Drive ..... 70 kW (variable frequency)  
 Lights ..... 60 kW  
 Minimum/Maximum line voltage ..... 208/230 volt wye,  
 3 phase, 60 Hz

### DRIVE\*

Type..... variable speed electric  
 Motor Type..... 230/460 volt, 3 phase, 60 Hz  
 Number of motors..... 8  
 Horsepower rating..... 7.5

### STANDARD LEAD-IN CABLE

Size ..... (2) 3/0 gauge  
 Length ..... 150 ft. (45 m)

### TRAILERING (Meets FMVSS and DOT Standards)

	FRONT TRAILER	CENTER TRAILER	REAR TRAILER	VAN TRAILER
<b>HEIGHT</b>	13 ft. 6 in. (4.1 m)	13 ft. 6 in. (4.1 m)	13 ft. 6 in. (4.1 m)	13 ft. 6 in. (4.1 m)
<b>WIDTH</b>	8 ft. 6 in. (2.6 m)	8 ft. 6 in. (2.6 m)	8 ft. 6 in. (2.6 m)	8 ft. (2.4 m)
<b>LENGTH</b>	48 ft. (14.4 m)	48 ft. (14.4 m)	48 ft. (14.4 m)	45 ft. (13.5 m)
<b>TOTAL WEIGHT</b>	59,150 lbs. (26,618 kg)	59,500 lbs. (26,775 kg)	58,900 lbs. (26,505 kg)	31,300 lbs. (14,085 kg)
<b>REAR AXLE WEIGHT</b>	33,400 lbs. (15,030 kg)	34,000 lbs. (15,300 kg)	52,500 lbs. (23,812 kg)	19,300 lbs. (8,685 kg)
<b>KINGPIN WEIGHT</b>	25,750 lbs. (11,588 kg)	25,500 lbs. (11,475 kg)	26,400 lbs. (11,880 kg)	12,000 lbs. (5,400 kg)

\*All rides can be electrically wired to operate on other specified voltage.

Specifications are effective as of publication date. Because we try to improve every Chance Rides product, these specifications are subject to change without notice. Dimensions given are approximate. For actual dimensions and installation specifications, please refer to Chance Rides foundation drawings. This ride conforms to all applicable ASTM amusement ride standards in effect on the date of manufacture.

