

CAW200 Observation Wheel is an iconic landmark that offers a 360-degree panoramic perspective of the cityscape for thrilling sight seeing.

IMPRESSIONS



CAW200 Observation Wheel

WHEELS



Icarus XL Gondola
8 Passengers



Zeppelino Gondola
12 Passengers



The CAW200 Observation Wheel is a popular tourist attraction for people of all ages. The 200-foot-high attraction offers a thrilling 360-degree panoramic view of the skyline and surroundings. The gondolas are entirely enclosed, climate-controlled, and equipped with audio communications, ensuring maximum passenger pleasure and safety.



Exclusive licensee for **BUSSINK TECHNOLOGY** Observation Wheels in North America designed by **BUSSINK**.

4219 Irving St. • Wichita, KS 67209
TEL 316.945.6555 • EMAIL sales@chancerides.com
www.chancerides.com

2023© Chance Rides, LLC All Rights Reserved.



Exclusive licensee for **BUSSINK TECHNOLOGY** Observation Wheels in North America designed by **BUSSINK**.

4219 Irving St. • Wichita, KS 67209 • TEL 316.945.6555 • EMAIL sales@chancerides.com • WEB chancerides.com

CAW200 Observation Wheel

FEATURES

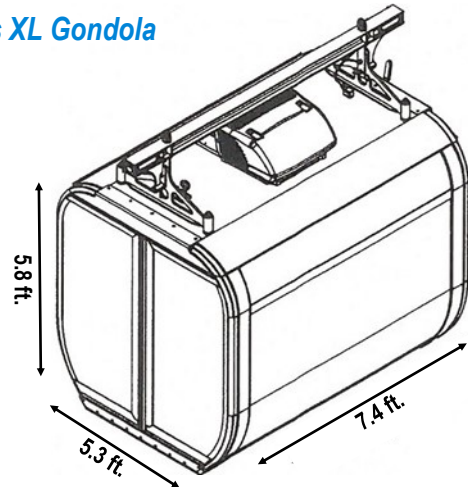
STANDARD FEATURES

- 42 Icarus XL gondolas with start-stop loading
- Mechanical door locking system
- Visible door indicator lights for locking confirmation
- Climate control system
- Face to face seating benches
- LED gondola lighting

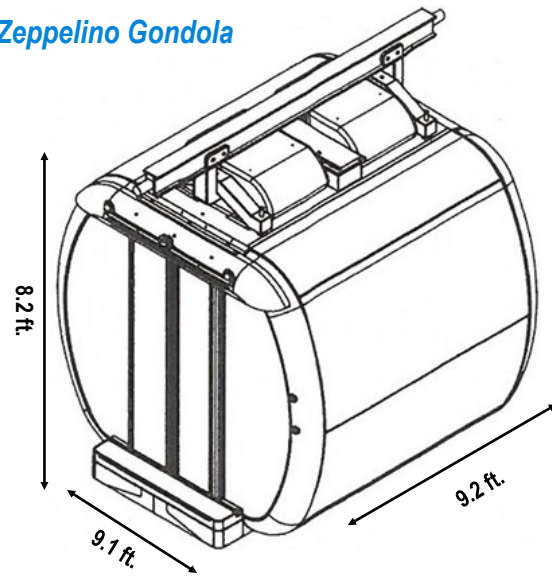
OPTIONAL FEATURES

- High wind 8 leg version
- Programmable LED lighting
- Dining table
- Music
- LCD monitor screen
- VIP Icarus XL gondola
- 21 Zeppelino gondolas with continuous loading
- Zeppelino electric automatic door system with magnetic lock
- Audio communication system
- VIP Zeppelino gondola

Icarus XL Gondola

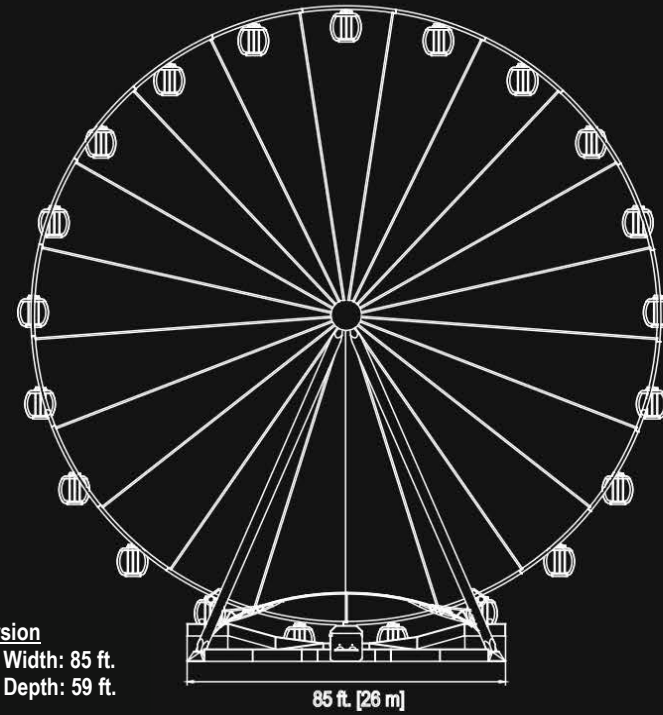


Zeppelino Gondola

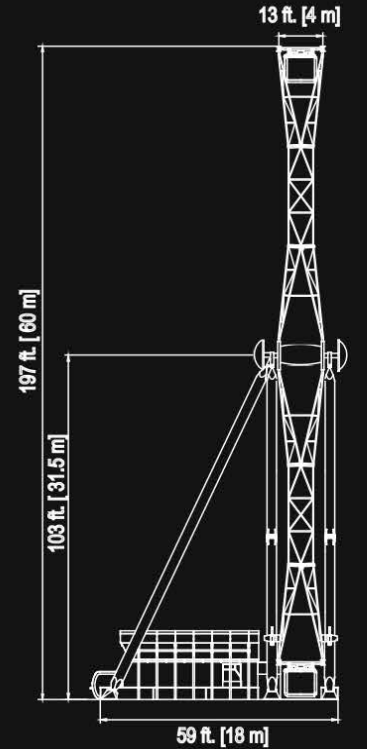


CAW200 Observation Wheel

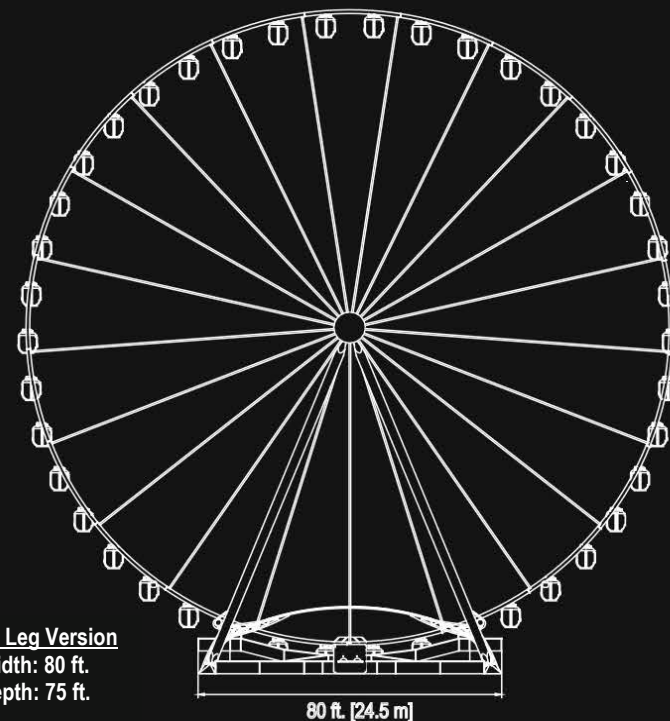
6 Leg Version



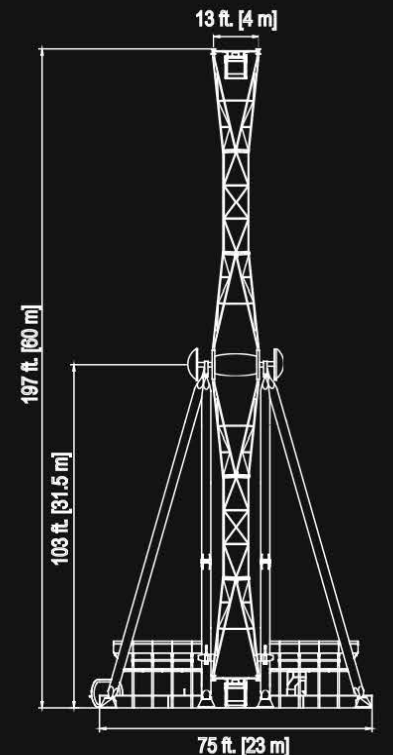
6 Leg Version
Footprint Width: 85 ft.
Footprint Depth: 59 ft.



High Wind 8 Leg Version



High Wind 8 Leg Version
Footprint Width: 80 ft.
Footprint Depth: 75 ft.



SPECIFICATIONS

ICARUS XL SEATING

Number of Icarus XL gondolas.....	42
Maximum number of passengers per gondola.....	8
Maximum passenger weight per gondola.....	1,320 lbs.
Maximum total number of passengers.....	336 adults
Maximum total passenger weight.....	55,440 lbs.
Loading.....	6 gondolas simultaneously

ZEPELINO SEATING

Number of Zeppelino gondolas.....	21
Maximum number of passengers per gondola.....	12
Maximum passenger weight per gondola.....	1,980 lbs.
Maximum total number of passengers.....	252 adults
Maximum total passenger weight.....	41,580 lbs.
Loading.....	continuous

PERFORMANCE

Direction of rotation.....	clockwise/counterclockwise
Icarus gondola max. ride speed.....	1.5 rpm
Zeppelino continuous loading time.....	variable 12-24 min./rev.
Maximum wind speed (operating).....	35 mph
Maximum wind speed (static with gondolas)	
6 Leg Version.....	90 mph
8 Leg Version.....	100 mph
Maximum wind speed (static without gondolas)	
6 Leg Version.....	115 mph
8 Leg Version.....	145 mph

POWER REQUIREMENTS*

Total.....	500 kW
Min /Max voltage without lighting.....	480V, 3phase, 60Hz

DRIVE

Type.....	Electrical, AC
Motor Type.....	480V, 3 phase, 60Hz
Number of motors.....	4

* All rides can be electrically wired to operate on other specified voltage.

Specifications are effective as of publication date. Because we strive to improve every Chance Rides product, these specifications are subject to change without notice. Dimensions are approximate. For actual dimensions and installation specifications, please refer to Chance Rides foundation drawings. This ride conforms to all applicable ASTM amusement ride standards in effect on the date of manufacture.

