

# The 28' Double Decker Carousel



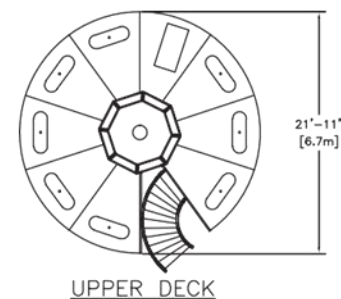
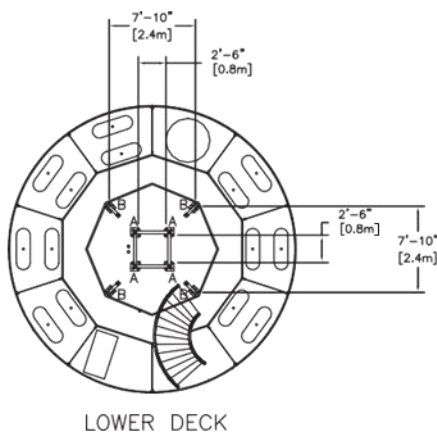
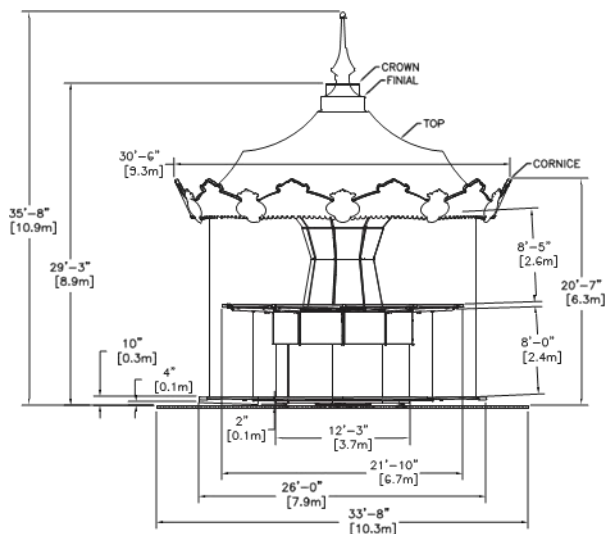
The Double Decker: two stories of fun create a stunning visual presentation.

The Chance Rides 28-foot Double Decker Carousel takes fun to a whole new level and increases ticket sales without increasing square footage. Create your own ride with your choice of options or custom theme.



316.945.6555  
sales@chancerides.com  
Chancerides.com

# The 28' Double Decker Carousel



## FEATURES

### STANDARD FEATURES

- Fantasy horses, Fantasy or Goddess of Cherubs chariots
- Victorian Scenery
- Ribbon or Pie top
- Simulated wood, color coordinating non-slip or aluminum tread plate floors
- Spiral brass sleeves on horse poles and floor hanger rods
- Maintenance-free, greaseless Nylatron® bearings
- Electric, variable-speed drive
- Lap belts
- Operator pedestal

### OPTIONAL FEATURES

- Hand-crafted Bradley & Kaye horses and wildlife figures by Chance Rides
- Spinning Tub, Birds Nest Spinning Tub or Swan Chariot
- Wheelchair accessible chariot
- Lighted ribbon or Americana top
- Lighted finial or crown
- Antique-style lighted Americana or Victorian ceiling
- Beveled glass mirrors for scenery panels
- Online factory diagnostics package
- Remote Access
- Side walls
- Custom theming and figures

## SPECIFICATIONS

### SEATING

Number of seats	
Standard (lower level)	16 horses, 1 chariot
Standard (upper level)	8 horses, 1 chariot
Opt. (lower level)	14 horses, 1 chariot, 1 spinning tub
Opt. (Upper level)	9 horses
Maximum number of passengers per seat:	
Horses	1 adult or 1 child
Chariot (lower level)	4 adults or 6 children
Chariot (upper level)	2 adults or 3 children
Average passenger weight per seat:	
Horses	170 lbs. (77 kg)
Chariot	340 lbs. (154 kg)
Spinning Tub	360 lbs. (163 kg)
Maximum total number of passengers*	26 adults and 26 children
Maximum total passenger weight	6,760 lbs. (3,066 kg)
Minimum passenger height	42 in. (107 cm)
	(unaccompanied by adult)
Loading	all passengers simultaneously
Max. unbalance (lower level)	6 adults on any side
Max. unbalance (upper level)	3 adults on any side

### PERFORMANCE

Direction of travel	counterclockwise
Ride speed (max.)	5 rpm
Ride speed (min.)	2 rpm
Ride duration (max.)	2.5 min.
Ride duration (recommended)	2 min.
Maximum wind speed (operating)	35mph
Maximum wind speed (static)	90 mph

### MAXIMUM RIDE WEIGHT (EMPTY)

With aluminum floors	27,200 lbs. (12,338 kg)
With finial	27,700 lbs. (12,564 kg)
Drive	variable speed electric

### POWER REQUIREMENTS\*\*

Drive	8.3 kVA
Lights	15 kVA
Control Circuit	3.7 kVA
Total	27 kVA
Min./Max. voltage	208/230 volt, 3 phase, 60Hz

### DRIVE\*\*

Type	variable speed electric
Number of motors	1
Horsepower Rating	5

### LIGHTING\*\*

Type	LED lights
------	------------

\* Maximum total number of passengers assumes one rider accompanied by one standing adult per horse plus the maximum per chariot.

\*\* All rides can be electrically wired to operate on other specified voltage. The final contract is used to calculate the required amount of power.

Specifications are effective as of publication date. Because we strive to improve every Chance Rides product, these specifications are subject to change without notice. Dimensions are approximate. For actual dimensions and installation specifications, please refer to Chance Rides foundation drawings. This ride conforms to all applicable ASTM amusement ride standards in effect on the date of manufacture.

