



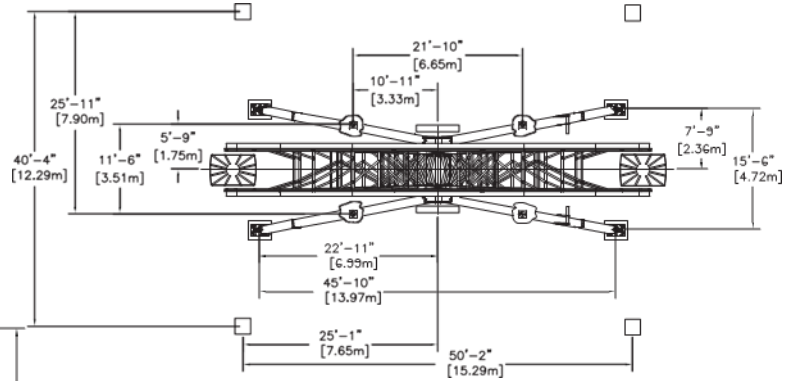
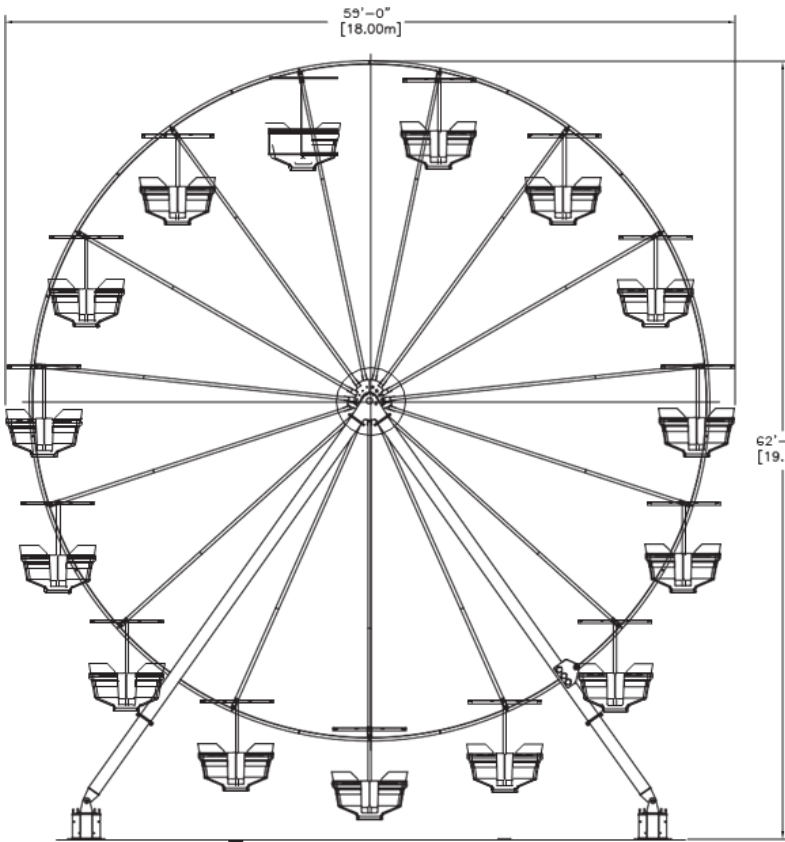
# Century Wheel

Everyone enjoys a view from above, especially from the top of a Chance Rides Century Wheel. With its 3,000 lights, it also puts on a show for those down below. This classic ride lifts its 15 four-to-six passenger gondolas up to a height of 20 meters.



316.945.6555 | [sales@chancerides.com](mailto:sales@chancerides.com) | [chancerides.com](http://chancerides.com)

# Century Wheel



## FEATURES

### STANDARD FEATURES

- Full 20-meter height provides panoramic view and powerful crowd-drawing ability
- Simultaneous loading of three gondolas per stop for five-stop loading and unloading
- Fifteen 4 to 6 passenger gondolas produce the highest hourly capacity of any 20 meter wheel in its class
- More than 3,000 multicolored incandescent lights create a spectacular appearance from both sides, increasing visibility and attracting riders from a distance
- High-back seats and automatic closing doors provide a feeling of security of all ages
- Automatic gondola positioning for loading and unloading reduces operator workload
- Screen displayed diagnostics for ease of ride maintenance

### OPTIONAL FEATURES

- Rear circle sign with or without logo
- LED lighting
- Platforms, ramps, and fencing
- Gondola canvas covers

## SPECIFICATIONS

### SEATING

Number of gondolas.....	15
Maximum number of passengers per gondola:.....	4 adults or 6 children
Maximum passenger weight per gondola.....	680 lbs. (308 kg)
Maximum total number of passengers.....	60 adults or 90 children
Maximum total passenger weight.....	10,200 lbs. (4,627 kg)
Minimum passenger height.....	42 in. (107 cm) (unaccompanied by adult)
Loading.....	3 gondolas simultaneously
Maximum unbalance.....	8 adults

### PERFORMANCE

Direction of rotation.....	clockwise/counterclockwise
Ride speed (maximum).....	3.5 rpm
Ride duration.....	2 min.
Maximum wind speed (operating).....	35mph
Maximum wind speed (static w/gondolas).....	90 mph

### MAXIMUM RIDE WEIGHT

Empty.....	44,000 lbs. (19,958 kg)
------------	-------------------------

### POWER REQUIREMENTS\*

Lights and Control.....	32kVA
Total.....	60 kW
Min./Max. voltage.....	65kVA-480 volt, 3 phase, 60Hz

### DRIVE\*

Type.....	variable speed electric
Motor Type.....	230/460 volt, 3 phase, 60Hz
Number of motors.....	4
Horsepower Rating.....	7.5

### LIGHTING\*

Type.....	110 volt incandescent
-----------	-----------------------

\* All rides can be electrically wired to operate on other specified voltage.

Specifications are effective as of publication date. Because we strive to improve every Chance Rides product, these specifications are subject to change without notice. Dimensions are approximate. For actual dimensions and installation specifications, please refer to Chance Rides foundation drawings. This ride conforms to all applicable ASTM amusement ride standards in effect on the date of manufacture.

